



**ULTMATRON
FRANCE**

**5 YEARS
WARRANTY**

Technical sheet

ULTMATRON LiFePO4 Smart BMS RV Underseat Lithium Battery
ULS-12-100

Compared with traditional batteries, our lithium iron phosphate batteries (LiFePO4) have many advantages:

- 5 years manufacturer's warranty
- The safest technology, without risk of fire or explosion
- Long service life
- Constantly improving storage capacity
- High stability even under extreme loads
- No memory effect, no need for full charge and discharge cycles
- High performance even under extreme conditions
- Deep and regular discharge and charging efficiency
- Small size and light weight



Integrated Battery Management System (BMS)

To allow the control and the charge of the different elements of an accumulator battery and to protect it against overcharging, overvoltages and overheating.



Note: Series and parallel connection for 12V, 24V, 36V, 48V applications.

Integrated Bluetooth 4.0 monitoring



You have all important battery data always on your smartphone or tablet. The application displays the data in real time.

MARQUE FRANÇAISE





ULTIMATRON LiFePO4 Smart BMS RV Underseat Lithium Battery ULS-12-100

ELECTRICAL PERFORMANCE

| | |
|------------------|------------------|
| Nominal Voltage | 12.8V |
| Nominal Capacity | 100Ah |
| Capacity @ 20A | 300min |
| Energy | 1280Wh |
| Resistance | ≤15 mΩ @ 50% SOC |
| Self Discharge | <3% / Month |
| Number of Cycles | >6000@80%D.o.D |

CHARGE PERFORMANCE

| | |
|----------------------------|-----------------|
| Recommended Charge Current | 30A |
| Maximum Charge Current | 50A |
| Recommended Charge Voltage | 14.6V |
| Charge Cut-Off Voltage | 14.6V (2000 ms) |
| Reconnect Voltage | ≤13.8V |
| Balancing Voltage | >12.8V |

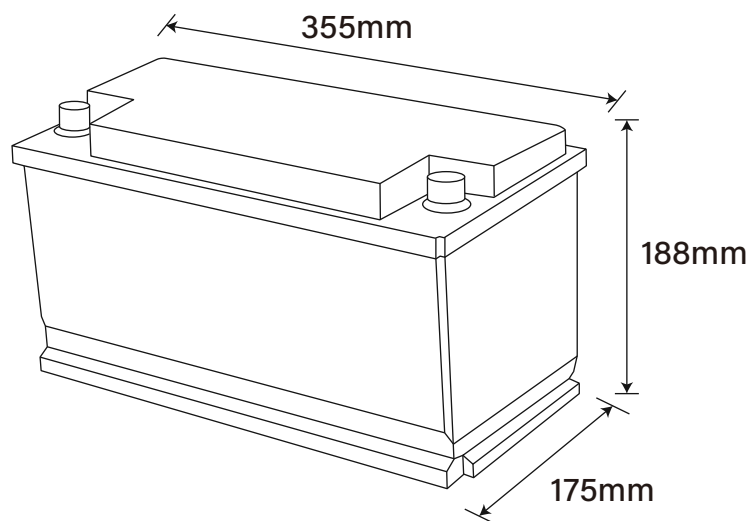
DISCHARGE PERFORMANCE

| | |
|--------------------------------------|-------------------------------------|
| Maximum continuous Discharge Current | 150A |
| Peak Discharge Cut-Off Current | 450A (200 ~ 500 ms) |
| Discharge Cut-Off Voltage | 10V (2000 ms) |
| Reconnect Voltage | >11.2V |
| Short Circuit Protection | 1000-2000A ± 400A (200 ~ 800 μs) |

TEMPERATURE PERFORMANCE

| | |
|-----------------------|-------------|
| Discharge Temperature | -20 ~ 75 °C |
| Charge Temperature | 0 ~ 50 °C |
| Storage Temperature | -5 ~ 35 °C |

DIMENSION



DIN Standard Dimensions L355 * W175 * H188 mm

MECHANICAL PERFORMANCE

| | |
|-------------------------|-----------------------------------|
| Weight | 12.6kg |
| Terminal Type | M8 |
| Terminal Torque | 80 ~ 100 in-lbs (9 ~ 11 N-m) |
| Case Material | ABS |
| Ingress Protection Code | IP65 |
| Bluetooth | Bluetooth 4.0 with smartphone app |

COMPLIANCE

| | |
|-------------------------|-----------------------------------|
| Certifications | CE UN38.3 UL1642 & IEC62133 |
| Shipping Classification | UN 3480, CLASS 9 |