

Technical sheet

ULTIMATRON LiFePO4 Smart BMS RV Underseat Lithium Battery
ULM-12-180H (with Heater)



Note: Series and parallel connection for 12V, 24V, 36V, 48V applications.

Integrated Battery Management System (BMS)

To allow the control and the charge of the different elements of an accumulator battery and to protect it against overcharging, overvoltages and overheating.



Heating Features

- ★ The integrated heating function starts automatically at temperatures below 0°C when an external charging current (around 7A) is applied. The integrated heating function will not consume the energy from the battery.
- ★ Integrated Heating foils, the battery can be charged at the extreme environment in **-35°C**.

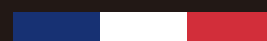
Compared with traditional batteries, our lithium iron phosphate batteries (LiFePO4) have many advantages:

- 5 years manufacturer's warranty
- The safest technology, without risk of fire or explosion
- Long service life
- Constantly improving storage capacity
- High stability even under extreme loads
- No memory effect, no need for full charge and discharge cycles
- High performance even under extreme conditions
- Deep and regular discharge and charging efficiency

Integrated Bluetooth 4.0 monitoring



You have all important battery data always on your smartphone or tablet. The application displays the data in real time.



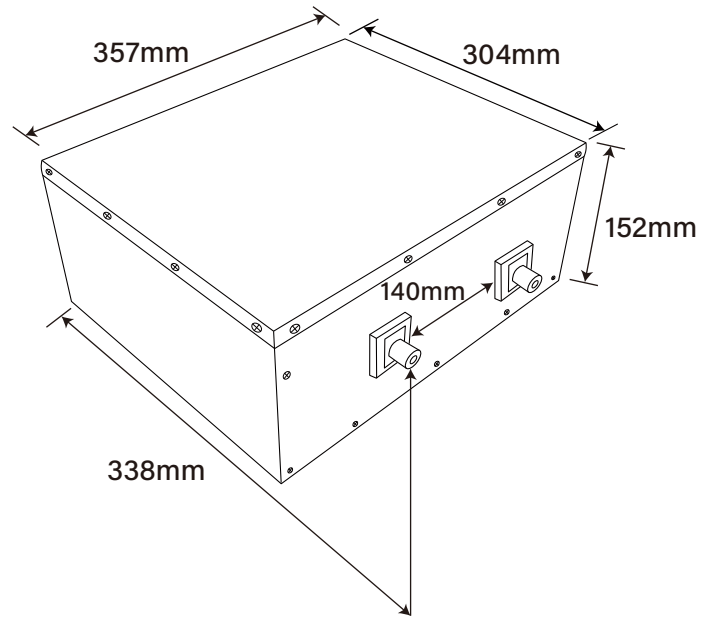


ULTIMATRON LiFePO4 Smart BMS RV Underseat Lithium Battery ULM-12-180H (with Heater)

ELECTRICAL PERFORMANCE

| | |
|------------------|------------------|
| Nominal Voltage | 12.8V |
| Nominal Capacity | 180Ah |
| Capacity @ 36A | 300min |
| Energy | 2304Wh |
| Resistance | ≤15 mΩ @ 50% SOC |
| Self Discharge | <3% / Month |
| Number of Cycles | >6000@80%D.o.D |

DIMENSION



Dimension L357 * W338 * H152 mm

CHARGE PERFORMANCE

| | |
|----------------------------|----------------|
| Recommended Charge Current | 50A |
| Maximum Charge Current | 90A |
| Recommended Charge Voltage | 14.6V |
| Charge Cut-Off Voltage | 14.6V (2000ms) |
| Reconnect Voltage | ≤13.8V |
| Balancing Voltage | >12.8V |

MECHANICAL PERFORMANCE

| | |
|-------------------------|-----------------------------------|
| Weight | 23.7kg |
| Terminal Type | M8 |
| Terminal Torque | 80 ~ 100 in-lbs (9 ~ 11 N-m) |
| Case Material | Metal |
| Ingress Protection Code | IP65 |
| Bluetooth | Bluetooth 4.0 with smartphone App |
| Heat foil | 80W |

DISCHARGE PERFORMANCE

| | |
|--------------------------------------|-------------------------------------|
| Maximum continuous Discharge Current | 150A |
| Peak Discharge Cut-Off Current | 450A (200~500ms) |
| Discharge Cut-Off Voltage | 10V (2000 ms) |
| Reconnect Voltage | >11.2V |
| Short Circuit Protection | 1000-2000A ± 400A (200 ~ 800 μs) |

COMPLIANCE

| | |
|-------------------------|-----------------------------------|
| Certifications | CE UN38.3 UL1642 & IEC62133 |
| Shipping Classification | UN 3480, CLASS 9 |

TEMPERATURE PERFORMANCE

| | |
|----------------------------|---------------|
| Discharge Temperature | -20 ~ 75 °C |
| Charge Temperature | 0 ~ 50 °C ❄️ |
| Heater Working Temperature | -35 ~ 5 °C ❄️ |
| Storage Temperature | -5 ~ 35 °C |